

Industrial Linear Pendant High Bay WO-LHB



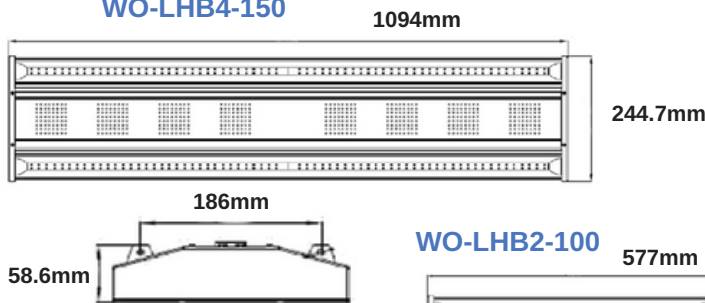
- Significant energy savings vs existing HID and fluorescent high-bay installations
- Linear and spot solutions for direct replacement or wider spacing
- Beam control options for aisle lighting, wide bat-wing or tight beam control



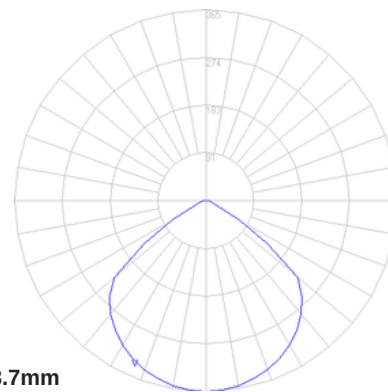
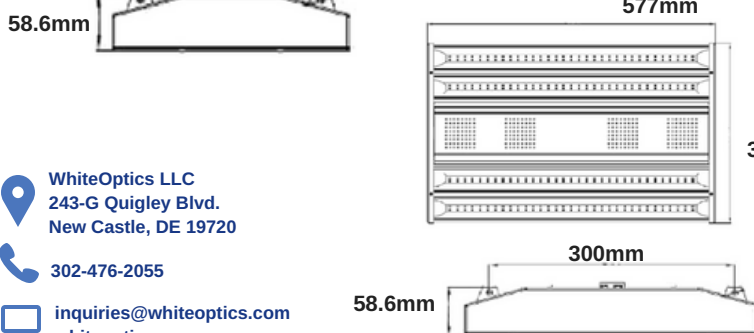
Fixture Options

Product Code	Watts	Lumens	Lumens per Watt	Color	CRI
WO-LHB2-100	100W	13200	132 LPW	4000k, 5000k, 5700k	>80
WO-LHB4-120	120W	15480	129 LPW	4000k, 5000k, 5700k	>80
WO-LHB4-150	150W	19950	133 LPW	4000k, 5000k, 5700k	>80
WO-LHB4-200	200W	27000	135 LPW	4000k, 5000k, 5700k	>80
WO-LHB4-240	240W	32400	135 LPW	4000k, 5000k, 5700k	>80
WO-LHB4-300	300W	39000	130 LPW	4000k, 5000k, 5700k	>80

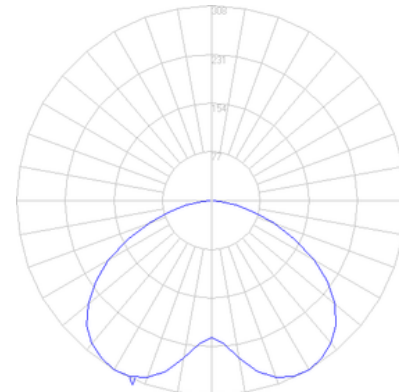
WO-LHB4-150



WO-LHB2-100



Standard wide distribution



Batwing distribution with WhiteOptics DFSD80:30

*Narrow and Focused beam patterns available

WhiteOptics LLC
243-G Quigley Blvd.
New Castle, DE 19720
302-476-2055
inquiries@whiteoptics.com
whiteoptics.com

This information has been carefully compiled from experience gained in the laboratory and under commercial conditions. However, the product's performance and its suitability depends on the particular conditions of use. We recommend that customers satisfy themselves that each product meets their requirements in all respects. This information is being provided by WhiteOptics LLC free of charge as a courtesy to customers, and WhiteOptics LLC HEREBY DISCLAIMS ALL REPRESENTATIONS, WARRANTIES AND LIABILITIES WITH RESPECT TO THE INFORMATION AND USE THEREOF. WhiteOptics® White98 is a trademark exclusive to WhiteOptics LLC. All rights reserved.